

PROCOLD S.R.L.

Via Roma 3 - Chivasso (Torino) Italy
 Tel (+39) 011 917 22 02 Fax (+39) 011 910 29 65
 e-mail info@procold.it

Condensing Unit 12 - 24 - 42 Volt DC

mod. PRO-NAKED 30

Available versions: BASIS (43°C) or TROPIK (45°C)

GENERAL DATA

Application	LBP - MBP - HMBP
Refrigerant	R134a
Evaporating (°C)	-30 to +10
Comp. cooling	Fan cooling
Max. Ambient temp. (°C)	45

COMPRESSOR DATA

COMPRESSOR DATA	ACC GD30FDC
Displacement (cm ³)	3.00
Bore / Stroke (mm)	18.00/12.10
Motor type	Brushless, Sensorless, PMM
Voltage (V)	DC 12 to 42
Voltage range (V)	DC 10 to 42.4

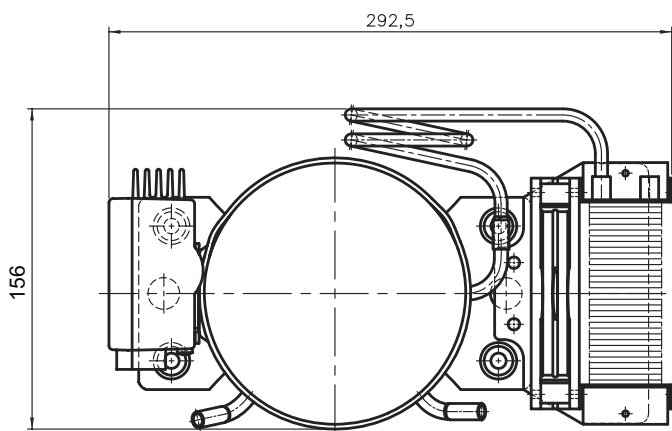
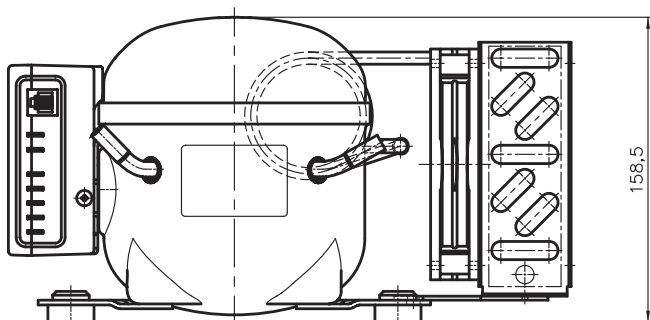
CONDENSER DATA

Condenser type	CU-AL
Condenser model BASIS	FR 96 dim. 120x133x48
Condenser model TROPIK	FR 95 dim. 120x128x61
Fan motor (V/A/W)	12/0.44/5,2
Fan blade diameter (mm)	115

CONNECTIONS

Suction tube	Tubes to braze 6 mm
Liquid tube	Tubes to braze 6 mm
Service port	Schrader valve

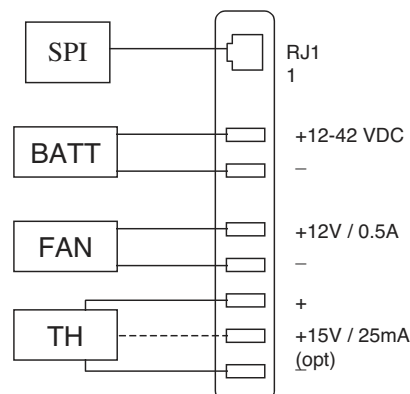
DIMENSIONS & ELECTRICAL DIAGRAM



DESCRIPTION

Condensing unit (12-24-42 Volt DC automatic), fan cooled, for fridge boxes up to 450 litres, freezers up to 300 litres and combined up to 375 litres. It employs a smart compressor GD30FDC, by ACC (ex ELECTROLUX), programmable manually or in "Smart Speed", fitting automatically the speed according to the need of cold. Available with tubes to braze or different kind of couplings. Equipped with increased condenser (TROPIK version) for hard working conditions.

WIRING SCHEME



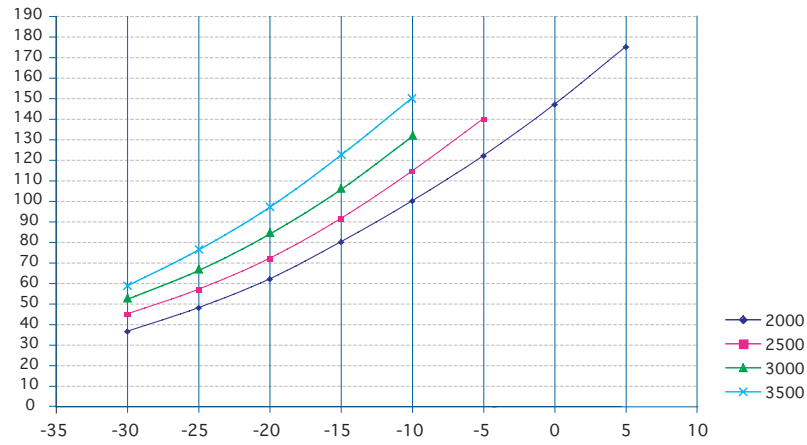
SPI: SERIAL PORT INTERFACE

BATT: BATTERIE

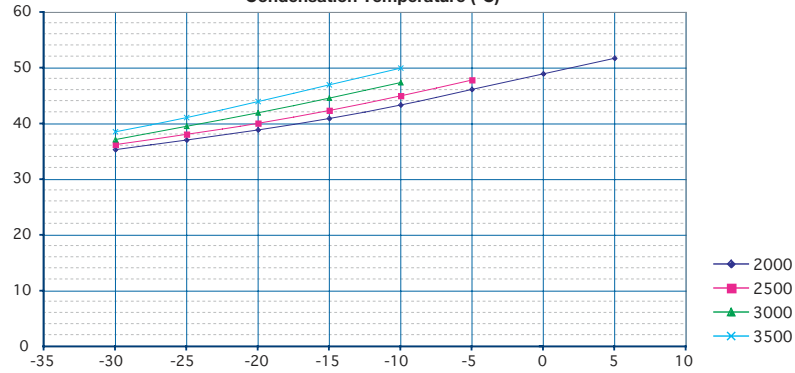
TH: THERMOSTAT

Caracteristics and specifications could change without any notice

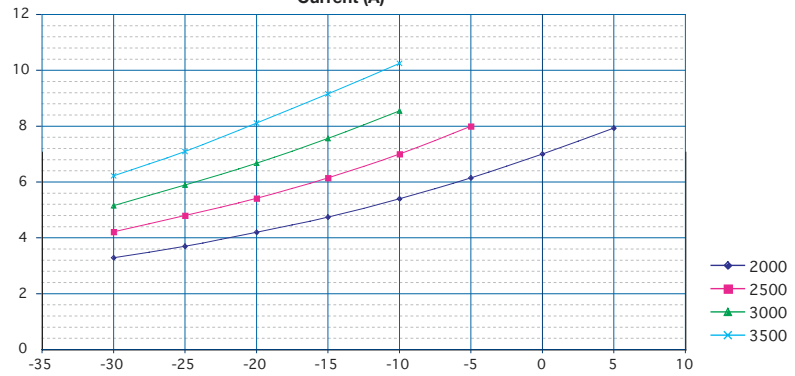
Cooling Capacity



Condensation Temperature (°C)



Current (A)



Input Power (W)

